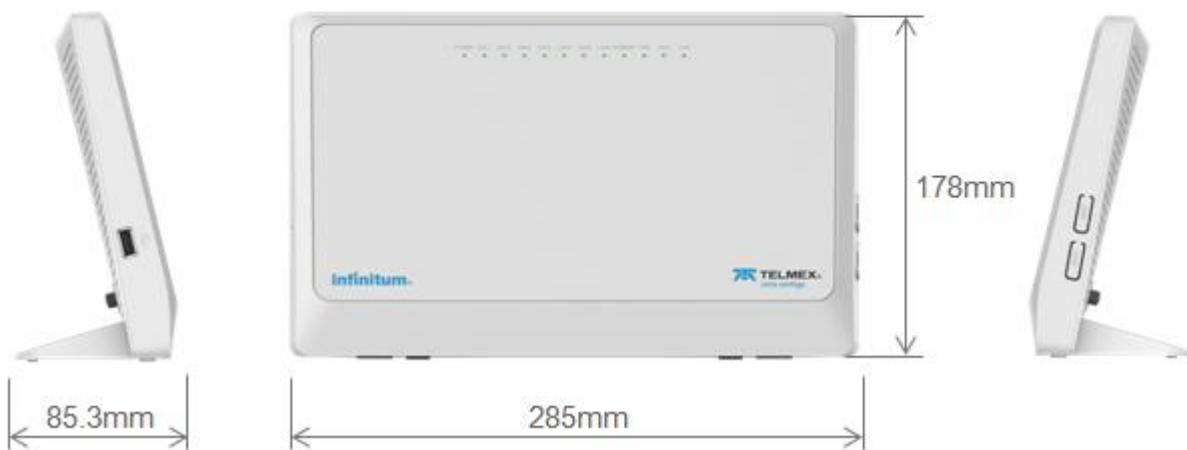
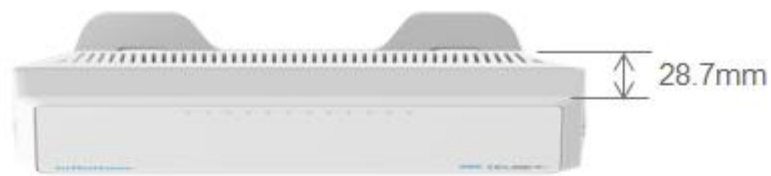


DSL IAD Datasheet

Entry 34TB





Overview

Entry34TB is a Home Gateway with supporting ADSL2(annex A)VDSL/VDSL2 17a (Bonding, 1*DSL RJ14 port 4P4C) feature, 4 ports GE LAN, 1 port GE WAN, 1 USB 2.0 host port, 2 FXS ports, It is based on Realtek RLT8685PB SoC bundling with RLT8192ER and RLT8814AR as total solution and supports 11n 2.4G (2x2) and 11ac 5G (3x3) WiFi.

Device Parameters

CPU	Realtek RLT8685PB-VB6 +Bonding CPU RLT8685-VA3
NAND FLASH	128MB SPI NAND
DDRII	256MB Embedded in RLT8685PB
WiFi	2.4GHz 2x2 802.11n: RLT8192ER 5GHz 3x3 802.11ac: RLT8814AR
SLIC	Microsemi LE9652
Port	1* 10/100/1000Mbps (RJ45) WAN 4* 10/100/1000Mbps (RJ45) LAN 2 * (RJ11) FXS port 1 * USB 2.0 port 1* DSL RJ14 port (4P4C)
Button	1 * Power On/Off Button 1 * Reset Button 1 * WPS Button 1 * WIFI On/Off Button
LED	Power; DSL; WAN; LAN1; LAN2; LAN3; LAN4; Internet; WIFI; WPS; VoIP
Power Supply	Supply: 0V to 240V AC +/- 10% Adapter: DC 12V/2. 5A
Operating requirement	Temperature :0℃ to +40℃ Humidity: 5% to 85% Non-condensing
Storage requirement	Temperature: -20℃ to +70℃ Humidity: 5% to 90% Non-condensing

Product Features

ADSL	Compliance with Annex A ADSL technology: - ITU-T G.992.1 (ADSL)
-------------	--

	- ITU-T G.992.3 (ADSL2) - ITU-T G.992.5 (ADSL2+) - Annex M (extended upstream bandwidth)
VDSL	Including full support for VDSL Vectoring: VDSL ITU-T G993.2 Standard Compliance with support to profile 17a Compliance with ITU-T G.993.5 (vector capable) both in downstream and upstream Compliance with ITU-T G.998.4 (Retransmission Functionality) and Seamless Rate Adaptation, SRA (ITU-TG.993.2).
Layer 3 Feature	Dynamic IP, Static IP, PPPoE DHCP server and client IPv4, IPV6, and Dual Stack DDNS, DNS Default, Policy, and Static routes ARP
USB	Support SMB/FTP
Multicast	IGMP v2/v3 Snooping IGMP Proxy
NAT	Port Mapping, Port Triggering, DMZ, ALG, UPnP
Security	NAT /SPI Firewall MAC/IP/ Filtering IP and MAC Address Binding LAN/WAN access control

Wireless Features

Standards	IEEE 802.11 b/g/n/ac IEEE 802.11i/e
Functions	WMM, MAC Filter Auto-Channel Reselection
Speeds	2.4G Up to 300Mbps (11n 2*2) 5G Up to 1300Mbps (11ac 3*3)
Authentication	WPA-PSK; WPA2-PSK; WPA/WPA2-PSK

VOIP Features

Standards	SIP (RFC3261) ITU-T G.711 a/u, G.729 a/b ITU-T G.726, G.723.1 T.38/G.711 fax mode
Function	call waiting, call hold,

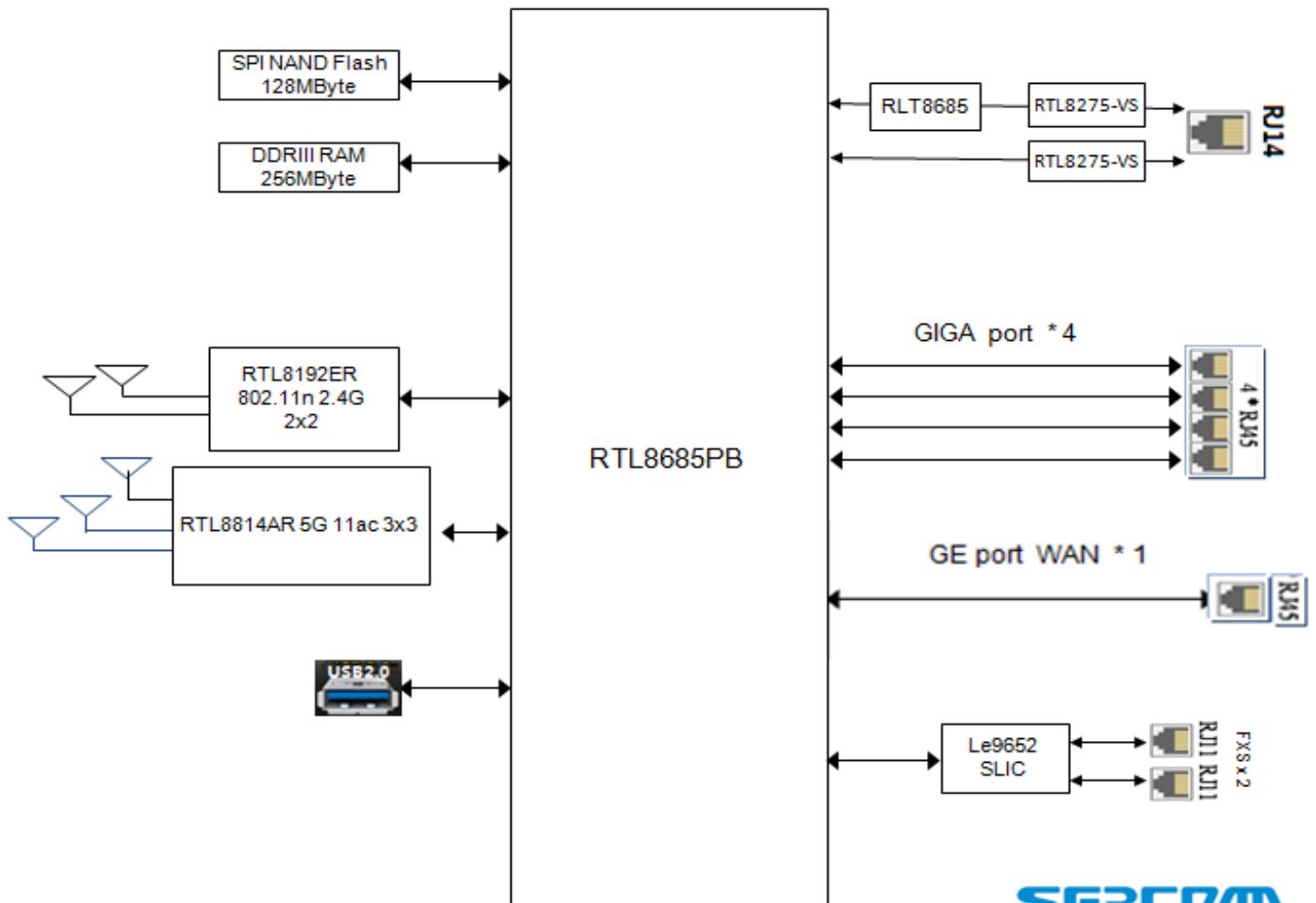
SERCOM

call forward, 3-way conference;
Caller ID, Speed dial,
anonymous call block

Remote Management

Management	TR069,
Fireware Upgrade	Remote via TR069

Function Block Diagram



SERCOM