

GPON ONU Datasheet

FG6122TM



SERCOM

Overview

The GPON Home Gateway Unit (HGU) is an ITU-T G.984 ONT designed for delivery of telephone services, IP-based data services, IPTV video services, and RF video services to single-family homes and small office/home office (SOHO) users. The GPON HGU offers four Gigabit Ethernet ports, 2 FXS port, Wireless 11n 2.4GHz (2x2) and 11ac 5GHz (2x2) dual band concurrent. The GPON HGU is designed for indoor installation and can be desktop or wall-mounted. A single optical fiber carries upstream and downstream traffic over the GPON between the OLT and the ONT. The GPON HGU is fully provisioned and managed from the OLT using PLOAM/OMCI and TR069.

Device Parameters

CPU	Broadcom BCM68782G
NAND FLASH	128MB(1Gbit)
DDRIII	256MB (2Gbit)
WiFi	2.4GHz 2x2 802.11n: BCM43217T 5GHz 2x2 802.11ac: BCM68782G
SLIC	Microsemi LE9642
Port	1 * SC/APC, Class B+ GPON Port 4 * 10/100/1000Mbps (RJ45) LAN 2 * (RJ11) FXS port
Button	1 * Power On/Off Button 1 * Reset Button 1 * WPS/WIFI Button
LED	Power; GPON; AUTH; VOIP; 2GWiFi; 5GWiFi; WPS; LAN; Internet; LINK
Dimensions (W* D * H)	190mm* 142mm* 40mm
Weight	510g
Power Supply	Supply: 110V AC to 240V AC +/- 10% Adapter: DC 12V/1.5A
Power Consumption	< 18 Watts (Max)
Bandwidth	Downstream up to 2.488Gbps Upstream up to 1.244Gbps Max
Operating requirement	Temperature :0°C to +40°C Humidity: 5% to 85% Non-condensing
Storage requirement	Temperature: -20°C to +70°C Humidity: 5% to 90% Non-condensing

Product Features

GPON	ITU G.984, G988 series standards TR-156 and TR-247 SN, Password Authentication SN + Password Authentication Downstream support 128-bit AES SR-DBA and TM-DBA 32 T-CONTs, 256 GEM Port-Ids 802.1p, supporting PQ and WRR Forward Error Correction (FEC) Auto-sense for multiple OLTs
Ethernet	Ethernet port-based VLAN tags Ethernet VLAN tag removal 1:1 VLAN, N:1 VLAN, QinQ VLAN VLAN transparent transmission
Layer 3 Feature	Dynamic IP, Static IP, PPPoE DHCP server and client IPv4, IPV6, and Dual Stack DDNS, DNS Default, Policy, and Static routes ARP
Multicast	IGMP v2/v3 Snooping IGMP Proxy
NAT	Port Mapping, Port Triggering, DMZ, ALG, UPnP
VPN	IPSec, PPTP, L2TP VPN Pass-through
Security	NAT /SPI Firewall MAC/IP/URL/ Filtering IP and MAC Address Binding LAN/WAN access control

Wireless Features

Standards	IEEE 802.11 b/g/n/ac IEEE 802.11i/e
Functions	Multiple-SSID, WMM, MAC Filter Auto-Channel Reselection Air-Time Fairness
Speeds	2.4G Up to 200Mbps 5G Up to 700Mbps
Authentication	WPA-PSK; WPA2-PSK; WPA/WPA2-PSK

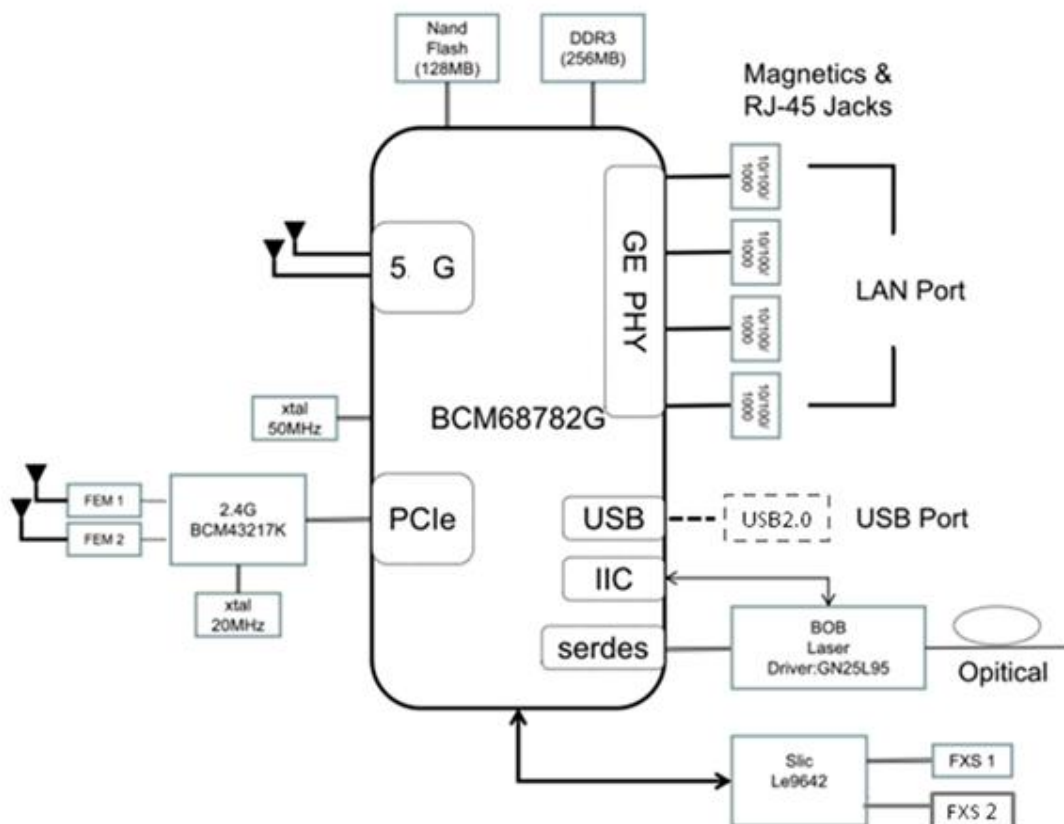
VOIP Features

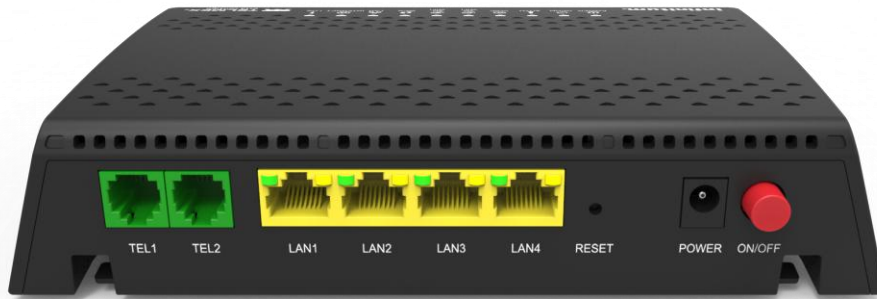
Standards	SIP (RFC3261) ITU-T G.711 a/u, G.729 a/b ITU-T G.726 T.38/G.711 fax mode
Function	call waiting, call hold, call forward, 3-way conference; Caller ID, Speed dial, anonymous call block

OAM & Diagnostic

Management	Support OMCI, TR069 with TR181, CLI, Web
Diagnostic	Upload and Download Ping, traceroute, UDPEcho DNS lookup diagnose Rouge ONU self diagnose & isolation Support Dying Gasp notification
Firmware Upgrade	Remote/Local firmware upgrade Upgrade via OMCI, TR069, Web Dual Firmware Image
Configuration	Upload / Download configuration Revert to factory default setting Via web, tr069, OMCI

Function Block Diagram





Housing Dimensions

