



### VRV9506B for Telmex

#### 11n/11ac Dualband concurrent

#### VDSL2 35B Integrated Access Device

*Integrated VDSL2*

*Ease to setup*

*Security protection with  
firewall*

The VRV9506B is a 802.11n and 802.11ac dualband concurrent wireless VDSL2 35B IAD (Integrated Access Device) with rich firewall, QoS feature.

The VRV9506B uses VDSL2 (Very High bit-rate Digital Subscriber Line 2) technology to bring you Internet connection speeds 4 times faster than ADSL2+ over a standard phone line.

The product provides best QoS (Quality of Service) for video streaming. Intelligent layer 2 and 3 QoS mechanism guarantee voice and video is on the higher priority. Multiple users can access the Internet through ISP connection (IP/PPP). Advance gateway features are also supported such as NAT, DHCP, and firewall, etc, to provide the capability to construct private network. Graphical user interface software for installation, configuration, and management will also be provided with the product.



## VRV9506B

### 11n/11ac Dualband Concurrent VDSL2 35B IAD

#### TECHNICAL SPECIFICATION

##### VDSL Features

- Comply with ITU-T G.993.2 - Annex A with 998 Asymmetric Band Plan and vectoring ( profile 8x,12x,17a,30a, 35b)
- Comply with ITU-T G.992.1 (G.dmt), ITU-T G.992.3 (ADSL2), ITU-T G.992.5 ADSL2+ standard.
- ATM mode: MER, 1483 Bridging, PPPoE, PPPoA, 1483 Routing (IPoA) support.

##### Network Features

- IPv4 / IPv6 Dual Stack
- IP sharing for LAN with up to 253 user
- TOS, Diffserv QoS guarantee voice and video quality
- IGMP snooping and proxy for IP TV application
- 802.1P/Q
- Multiple queues processing for different packet type
- DNS proxy
- NAT and NAPT
- Virtual server and DMZ
- Firewall function with Access Control List (ACL)
- Firewall function with Hacker pattern detection (DoS)

##### VOIP Features

- Comply with ITU-T G.711A, G.711u, G.729, G.722, G.726
- 4 channels, 2 concurrent 3-way conference call
- Fax T.38
- Caller ID
- Call waiting
- Call forwarding
- Message box

##### Wireless Features

- IEEE 802.11n, 802.11ac compliant
- Backward compatible to 802.11b/g, 5G 802.11a/n
- Wireless access control (MAC)
- Wi-Fi Protected Setup (WPS)
- WMM support.
- Wi-Fi Security (WEP/WPA/WPA2)
- Wi-Fi frequency (follow Telmex E1703\_13b2 & E1703\_15a1) 2.4G: 2412-2462MHz (Ch1-11) (2467-2483MHz not used)
  - output power: Maximum 22±1dBm
  - sensitivity: -90dB
- 5G : 5260-5580MHz (ch52-116);  
5660-5825MHz (ch132-165)
  - output power : Maximum 22±1dBm
  - sensitivity: -90dB
- \*5150-5250 MHz & 5600-5650 MHz NOT used for national regulation limitation.

##### Management Features

- HTTP embedded web server
- Web UI management via local or remote site
- Username/Password protection
- Firmware upgrade via HTTP
- UPnP
- Diagnostic

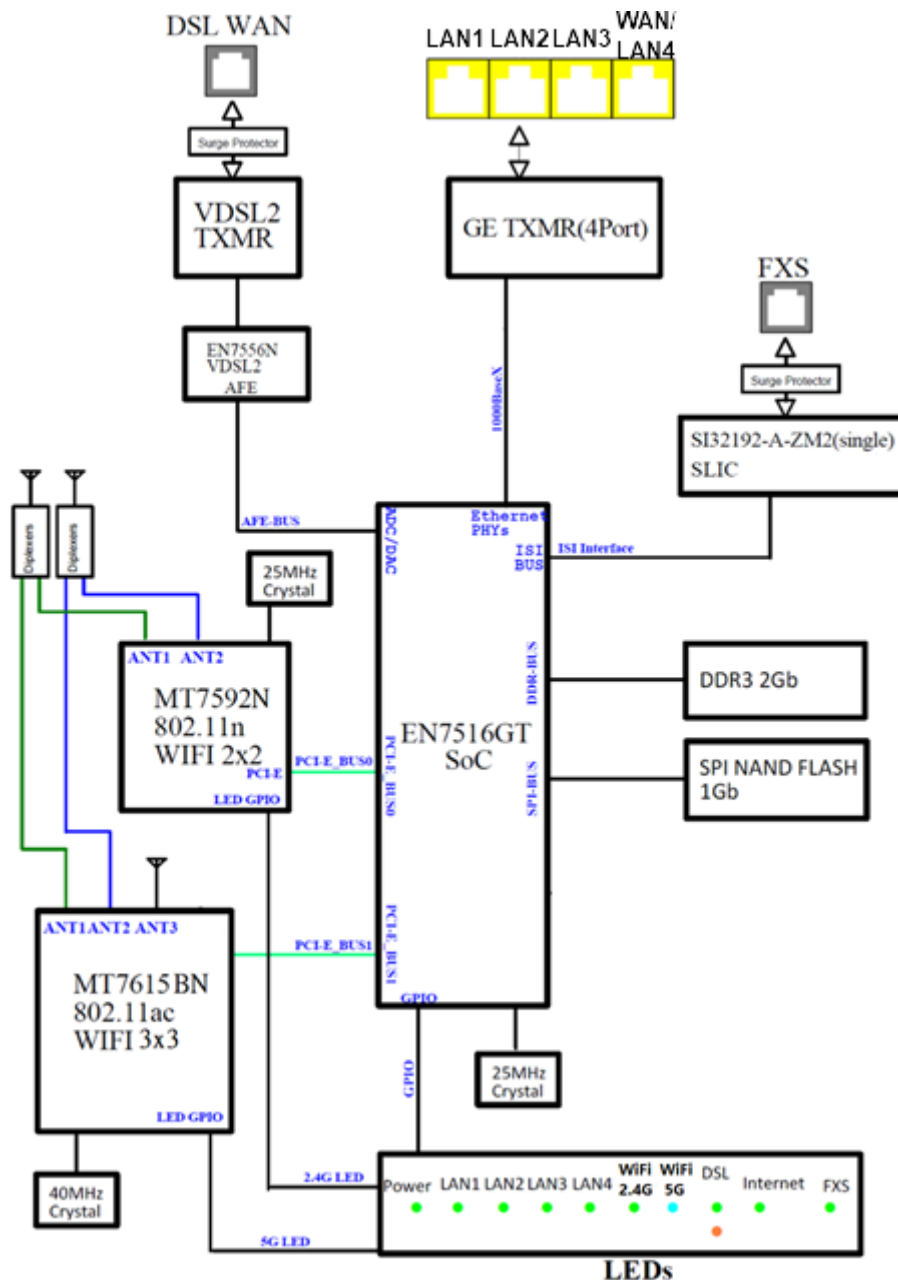
##### Hardware Specification

- RAM: 256 MB
- Flash: 128 MB
- Power adapter: 12V/1.5A
- One RJ-11 connector for VDSL2
- One RJ-45 connector for GE WAN or LAN port
- Three RJ-45 connectors for GE LAN ports
- One RJ-11 connector for FXS port
- 2x2 11n 2.4G with internal antenna
- 3x3 11ac 5G with internal antenna
- Power On/Off, Reset, WiFi, WPS button
- LED indicators
- Environment:
  - Ambient Temperature: -5°C-40°C,
  - Relative Humidity: 5% - 95% (non-condensed)

### TECHNICAL SPECIFICATION

- Chipset Solution :  
 CPU: ECONET EN7516GT  
 AFE: ECONET EN7556N  
 WiFi 11n: MediaTek MT7592N  
 WiFi 11ac: MediaTek MT7615BN  
 VoIP: Silicon Lab SI32192

- Block Diagram

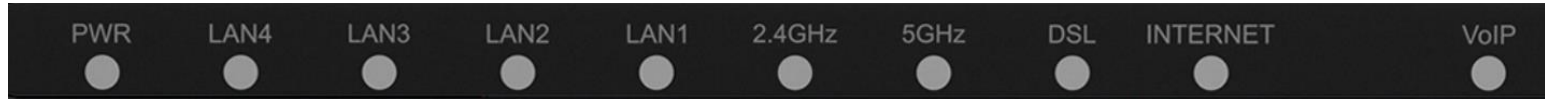




## VRV9506B

### 11n/11ac Dualband Concurrent VDSL2 35B IAD

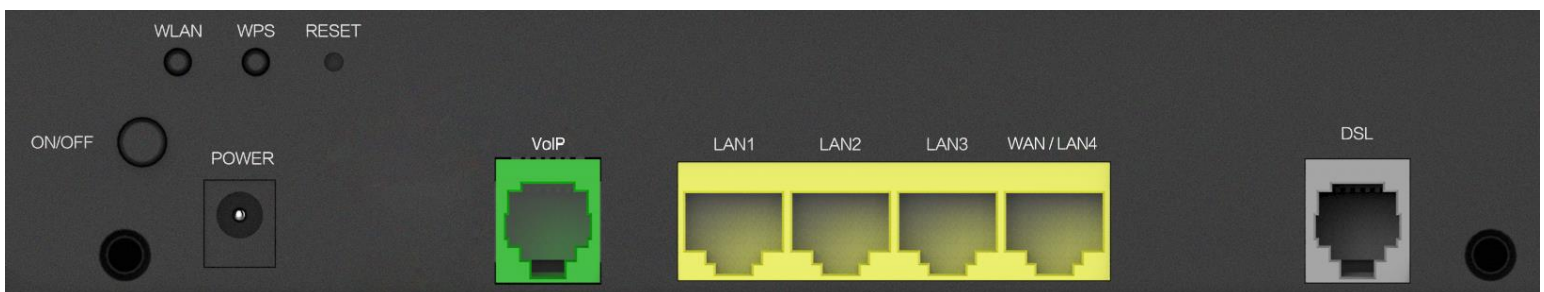
#### LED INDICATORS



Label	color	definition
PWR	Green	Solid : in normal operation Off: device is power off
LAN1~4	Green	Solid: LAN is connection Off: no device connection
2.4G	Green	Off: WiFi is disabled Solidgreen: WiFi is enabled Flashing periodically: WPS is activated
5G	Blue	Off: WiFi is disabled Solid blue : WiFi is enabled Flashing periodically : WPS is activated
DSL	Green	Blinking: DSL training Solid: DSL trained successfully Off: no connection
Internet	Green	Solid: received one IP address from the internet Off: no link from internet
VOIP	Green	Solid: SIP client is registered Off: no connection

**I/O CONNECTORS**

Label	Color/ Type	Description
DSL	RJ11 Gray	connecting to phone line for VDSL/ADSL service
LAN1	RJ45 Yellow	Gb Ethernet connection
LAN2	RJ45 Yellow	Gb Ethernet connection
LAN3	RJ45 Yellow	Gb Ethernet connection
WAN/LAN4	RJ45 Yellow	Gb Ethernet connection
VOIP	RJ11 Green	connecting to phone for voice calling service
WPS	Black button	Short press: enable WPS setup
WiFi	Black button	Press over 1sec : disable/enable WiFi connection
Power on/off	Black	Push to power on or power off device
reset	Black	Push to recover factory reset





**VRV9506B**

**11n/11ac Dualband Concurrent VDSL2 35B IAD**

